



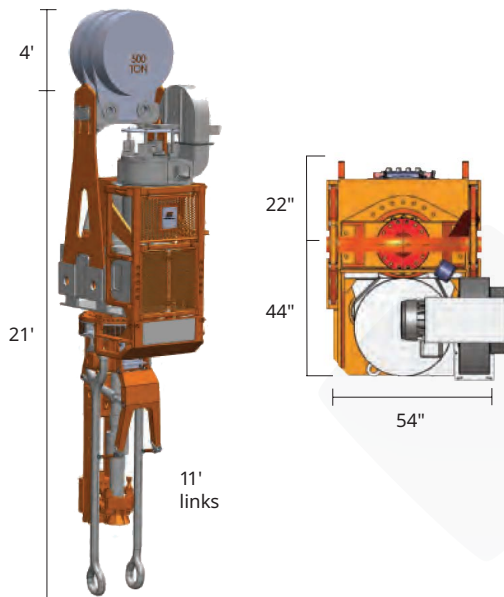
## GDM 500/650

The GDM 500/650 is our most advanced top drive system. It features a powerful, upgraded gearbox design that can handle any drilling demands.

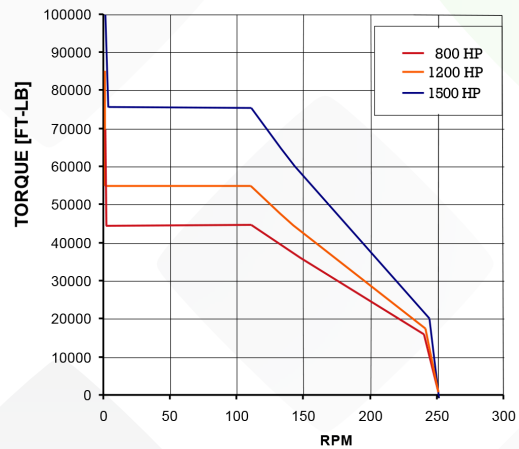
The GDM 500/650 creates the most torque in its class. It comes standard with built-in predictive, preventative maintenance software to get the most out of your investment.

## FEATURES

- ◆ Different power options; A/C and D/C drilling motors
- ◆ 7 5/8" main shaft that can be re-threaded up to three times
- ◆ Designed for rugged use in extreme climates



GDM 500/650	800HP	1200HP	1500HP
Load Rating (tons)	500	650	650
Breakout Torque	70,000	85,000	100,000
Continuous Torque	45,500	55,000	76,000
Max Speed (RPM)	250	250	250
Motor Horsepower	800 HP	1200 HP	1500 HP
Hook Weight (lbs)	33,000	38,000	38,000
Mud Path	5,000 psi (Optional 7,500 psi)		
	Standard 3" (Optional 4")		



## CORPORATE

### Premium Oilfield Technologies - USA

10600 W. Sam Houston Pkwy. North  
Houston, TX 77064  
T: +1 281.670.5200

## USA MANUFACTURING & REPAIR

### *Patriot and Urethane*

10600 W. Sam Houston Pkwy. North  
Houston, TX 77064  
T: +1 281.670.5228

### *Premium Drilling Equipment and Support*

9841 Windmill Park Ln.  
Houston, TX 77064  
T: +1 281.670.5200

### *West Texas Operations - All Divisions*

10207 West Industrial Ave.  
Midland, TX 79706  
T: +1 432.563.2328

### *Patriot Screens*

4602 S. MacArthur Blvd.  
Oklahoma City, OK 73179  
T: +1 405.470.6553

## NORTH AMERICA FIELD SALES, SERVICES AND REPAIR OFFICES

California / Colorado / Louisiana / New Mexico / North Dakota / Oklahoma / Pennsylvania / Texas / Utah  
Wyoming / Leduc, Alberta

## INTERNATIONAL

### KUWAIT

**Premium Oilfield Technologies**  
P.O. Box 721  
Yarmouk, Kuwait 72658  
T: +965 99679126  
T: +965 66022296

### UAE

**Premium Oilfield Technologies Trading LLC**  
P.O. Box 89561  
Dubai, UAE  
T: +971 55 889 7210  
T: +971 56 986 3834

### INDIA

**PMR Mud Riggers India Private Limited**  
S-Block-232, MIDC  
Bhosari, Pune MH 411026  
India

### UAE

**Premium Oilfield Technologies FZE Top Drive Solutions**  
S700, PLOT S30229  
Jebel Ali Free Zone (South)  
P.O. Box 262263  
Dubai, UAE  
T: +971 4 889 4897  
T: +971 506587570

### SAUDI ARABIA

**Premium Mud Pumps Trading Est.**  
P.O. Box 956  
Dammam, KSA  
Postal Code: 31951  
T: +966 50 0157516

### UAE

**Premium Oilfield Technologies FZE Mud Pump Solutions**  
S700, PLOT S30229  
Jebel Ali Free Zone (South)  
P.O. Box 262263  
Dubai, UAE  
T: +971 4 889 4897  
T: +971 558897210



Premium Oilfield Technologies  
Q1-3977  
ISO 9001:2015  
Certificate Number: 5028



[sales@premiumoilfield.com](mailto:sales@premiumoilfield.com)  
[premiumoilfield.com](http://premiumoilfield.com)

110524

**SUR-LOCK**

**CALIBER**

**TRU-FLOW**

**PATRIOT™**



**LOGAN**  
Power Swivel