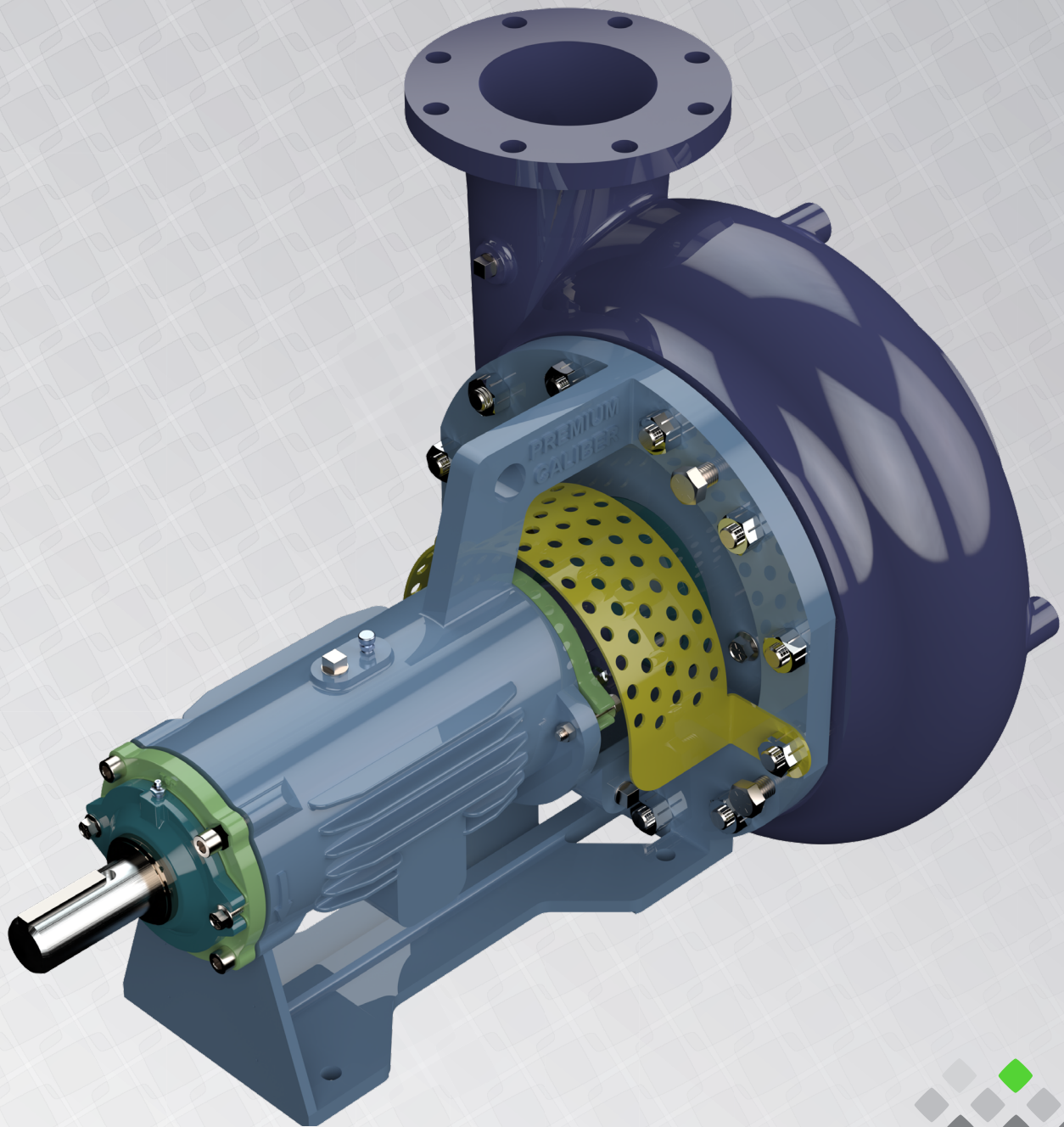
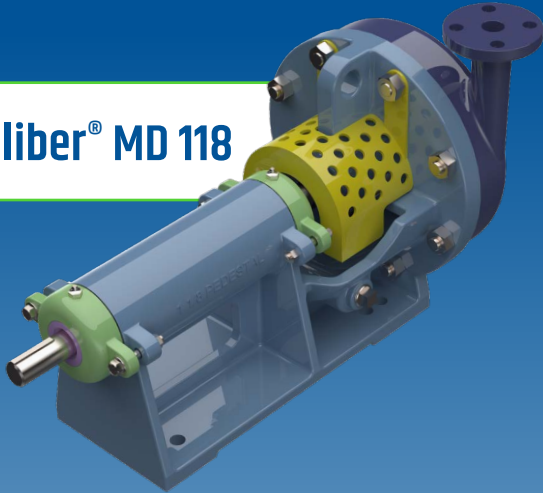


Caliber[®] MD 250



Premium Oilfield Technologies offers a complete line of centrifugal pumps that are manufactured to OEM specifications and interchangeability. Ours are machined to precise engineering tolerances.

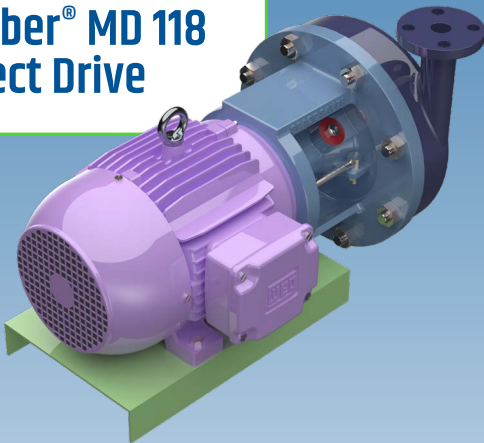
Caliber® MD 118



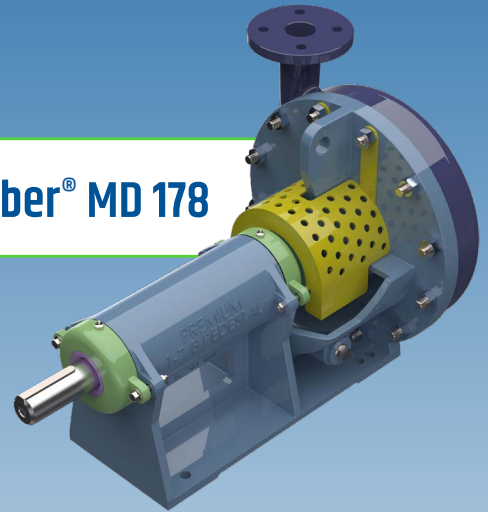
Caliber® MD 250 Compact



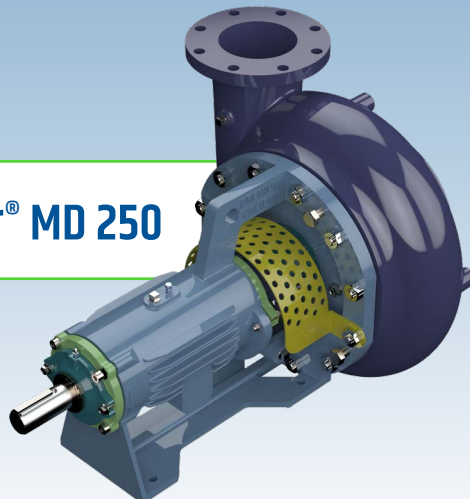
Caliber® MD 118 Direct Drive



Caliber® MD 178



Caliber® MD 250



Caliber® MD 250

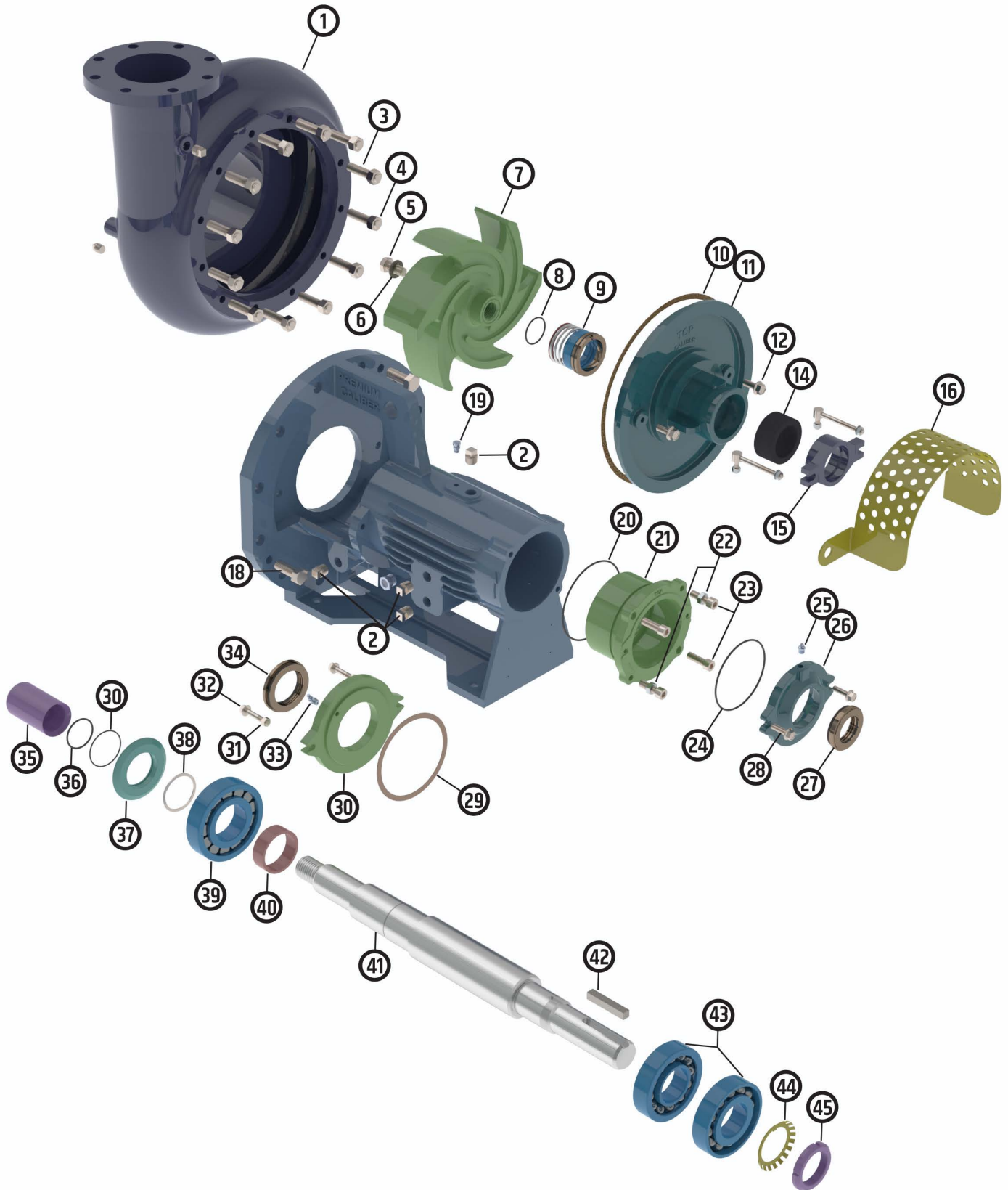
Premium Oilfield Technologies Caliber® centrifugal pumps incorporate field proven designs and updated technology to extend service life and reduce downtime during drilling operations.

Features and Benefits Include:

- Cooling fins added to frame help disperse heat and extend bearing and packing life
- Optional retaining ring to secure inboard bearing
- Open impeller design to maximize flow
- Concentric casing design minimizes turbulence
- Replaceable shaft sleeve to absorb wear and extend shaft life
- Long life mechanical seals
- Oil bath option available

Assem. No.	Impeller		Casing	
	Size	Part No.	Size	Part No.
530-0010	3" X 2" X 13"	530-0012-130	3" x 2" x 13"	530-0011
530-0110	3" X 2" X 11"	530-0012-110		
530-0210	3" X 2" X 12"	530-0012-120		
530-0020	4" X 3" X 13"	530-0022-130	4" X 3" X 13"	530-0021
530-0120	4" X 3" X 12"	530-0022-120		
530-0220	4" X 3" X 11"	530-0022-110		
530-0030	5" X 4" X 14"	530-0032-140	5" X 4" X 14"	530-0031
530-0130	5" X 4" X 11"	530-0032-110		
530-0230	5" X 4" X 12"	530-0032-120		
530-0330	5" X 4" X 13"	530-0032-130		
530-0040	6" X 5" X 11"	530-0052-110	6" X 5" X 11"	530-0041
530-0140	6" X 5" X 9"	530-0052-090		
530-0240	6" X 5" X 10"	530-0052-100		
530-0050	6" X 5" X 14"	530-0052-140	6" X 5" X 14"	530-0051
530-0150	6" X 5" X 11"	530-0052-110		
530-0250	6" X 5" X 12"	530-0052-120		
530-0350	6" X 5" X 13"	530-0052-130		
530-0060	8" X 6" X 11"	530-0062-110	8" X 6" X 11"	530-0061
530-0160	8" X 6" X 9"	530-0062-090		
530-0260	8" X 6" X 10"	530-0062-100		
530-0070	8" X 6" X 14"	530-0072-140	8" X 6" X 14"	530-0071
530-0170	8" X 6" X 11"	530-0072-110		
530-0270	8" X 6" X 12"	530-0072-120		
530-0370	8" X 6" X 13"	530-0072-130		
530-0080	10" X 8" X 14"	530-0082-140	10" X 8" X 14"	530-0081
530-0180	10" X 8" X 11"	530-0082-110		
530-0280	10" X 8" X 12"	530-0082-120		
530-0380	10" X 8" X 13"	530-0082-130		

*Please add "-L" to end of assembly number for Oil Bath option.



Centrifugal Pump Parts

Item	P/N	Description	Qty
1	SEE TABLE	Casing (See Table)	1
2	601-0195	Plug 1/2" - 14 NPT, Square Drive	6
3	201-860	Stud, 3/4" - 10 x 3-3/8"	12
4	210-009	Heavy Hex Nut, 3/4" - 10	12
5	601-0190	Hex Head Capscrew, 3/4"-10 x 1-3/4", LH	1
6	207-007	Flat Washer, 3/4"	1
7	See Chart	Impeller	1
8	3H9-2032	O-Ring, 2-032 HNBR 90 Duro	1
9	530-0271	Mechanical Seal JC Type 1	1
10	530-0111	Casing Gasket	1
11	530-0271	Stuffing Box (Mechanical Seal)	1
12	601-0199	FLG Hex Head CS, 1/2" - 13UNC x 1-1/4"	2
13	530-0275	L-Shape Bolt Assembly	2
14	530-0277	Packing, Graphite/Teflon	1
15	530-0274	Gland Assembly Set	1
16	530-0300	Safety Guard	1
17	530-0211	Frame	1
18	203-1479	Jack-Up Bolts, 3/4" - 10UNC x 2"	3
19	601-0191	Breather 1/8 PTF SAE Short	1
20	3N7-2254	O-Ring, 2-254 NBR 70 DURO	1
21	530-0251	Outboard Bearing Housing	1
22	209-007	Jam Nut, 1/2" - 13UNC	2
23	205-845	Socket Head CS, 1/2" - 13UNC x 1-1/5"	4
24	3N7-2248	O-Ring 2-248 NBR 70 DURO	1
25	601-0192	Grease Fitting, 1/8" 90 PTF SAE SPL SHORT	1
26	530-0261	Outboard Bearing Cover	1
27	530-0262	Outboard Labyrinth Seal	1
28	601-0198	FLG Hex Head CS, 3/8" - 16UNC x 1-1/4"	2
29	530-0320	Mud Guard	1
30	530-0243	Inboard Labyrinth Seal	1
31	601-0193	Grease Fitting, 1/8" 90 PTF SAE SPL SHORT	1
32	601-0196	FLG Hex Head CS, 3/8" - 16UNC x 1-1/2"	2
33	530-0241	Inboard Bearing Cover	1
34	309-005	Hex Nut, 3/8" - 16UNC	2
35	530-0242	Inboard Bearing Cover Gasket	1
36	530-0228	Shaft Sleeve (SS)	1
37	3H9-2225	O-Ring 2-225 HNBR 90 DURO	1
38	601-0271	Retainer Ring	1
39	530-0226	Bearing, Inboard	1
40	530-0227	Spacer, Inboard	1
41	530-0221	Shaft	1
42	530-0222	Coupling Key	1
43	530-0223	Bearing, Outboard	2
44	530-0224	Lockwasher, Outboard	1
45	530-0225	Locknut, Outboard	1

CORPORATE

Premium Oilfield Technologies - USA

10600 W. Sam Houston Pkwy. North
Houston, TX 77064
T: +1 281.670.5200

MANUFACTURING & REPAIR

Premium Drilling Equipment and Support

9841 Windmill Park Ln.
Houston, TX 77064
T: +1 281.670.5200

Patriot and Urethane

10600 W. Sam Houston Pkwy. N.
Houston, TX 77064
T: +1 281.670.5228

West Texas Operations All Divisions

10207 West Industrial Ave.
Midland, TX 79706
T: +1 432.563.2328

Patriot Screens

4602 S. MacArthur Blvd.
Oklahoma City, OK 73179
T: +1 405.470.6553

Canada Operations All Divisions

107-6704-41 Street
Leduc, Alberta
Canada T9E 0Z4
T: +1 877.593.0034

FIELD SALES, SERVICES AND REPAIR OFFICES

California / Colorado / Louisiana / New Mexico / North Dakota / Oklahoma / Pennsylvania / Texas / Utah / Wyoming

INTERNATIONAL

KUWAIT

Premium Oilfield Technologies
P.O. Box 721
Yarmouk, Kuwait 72658
T: +965 99679126
T: +965 66022296

UAE

Premium Oilfield Technologies Trading LLC
P.O. Box 89561
Dubai, UAE
T: +971 55 889 7210
T: +971 56 986 3834

INDIA

PMR Mud Riggers India Private Limited
S-Block-232, MIDC
Bhosari, Pune MH 411026
India

UAE

Premium Oilfield Technologies FZE Top Drive Solutions
S700, PLOT S30229
Jebel Ali Free Zone (South)
P.O. Box 262263
Dubai, UAE
T: +971 4 889 4897
T: +971 506587570

SAUDI ARABIA

Premium Mud Pumps Trading Est.
P.O. Box 956
Dammam, KSA
Postal Code: 31951
T: +966 50 0157516

UAE

Premium Oilfield Technologies FZE Mud Pump Solutions
S700, PLOT S30229
Jebel Ali Free Zone (South)
P.O. Box 262263
Dubai, UAE
T: +971 4 889 4897
T: +971 558897210



Premium Oilfield Technologies
Q1-3977
ISO 9001:2015
Certificate Number: 5028



sales@premiumoilfield.com
premiumoilfield.com

121124

SUR·LOCK

CALIBER

TRU·FLOW

PATRIOT™



LOGAN
Power Swivel