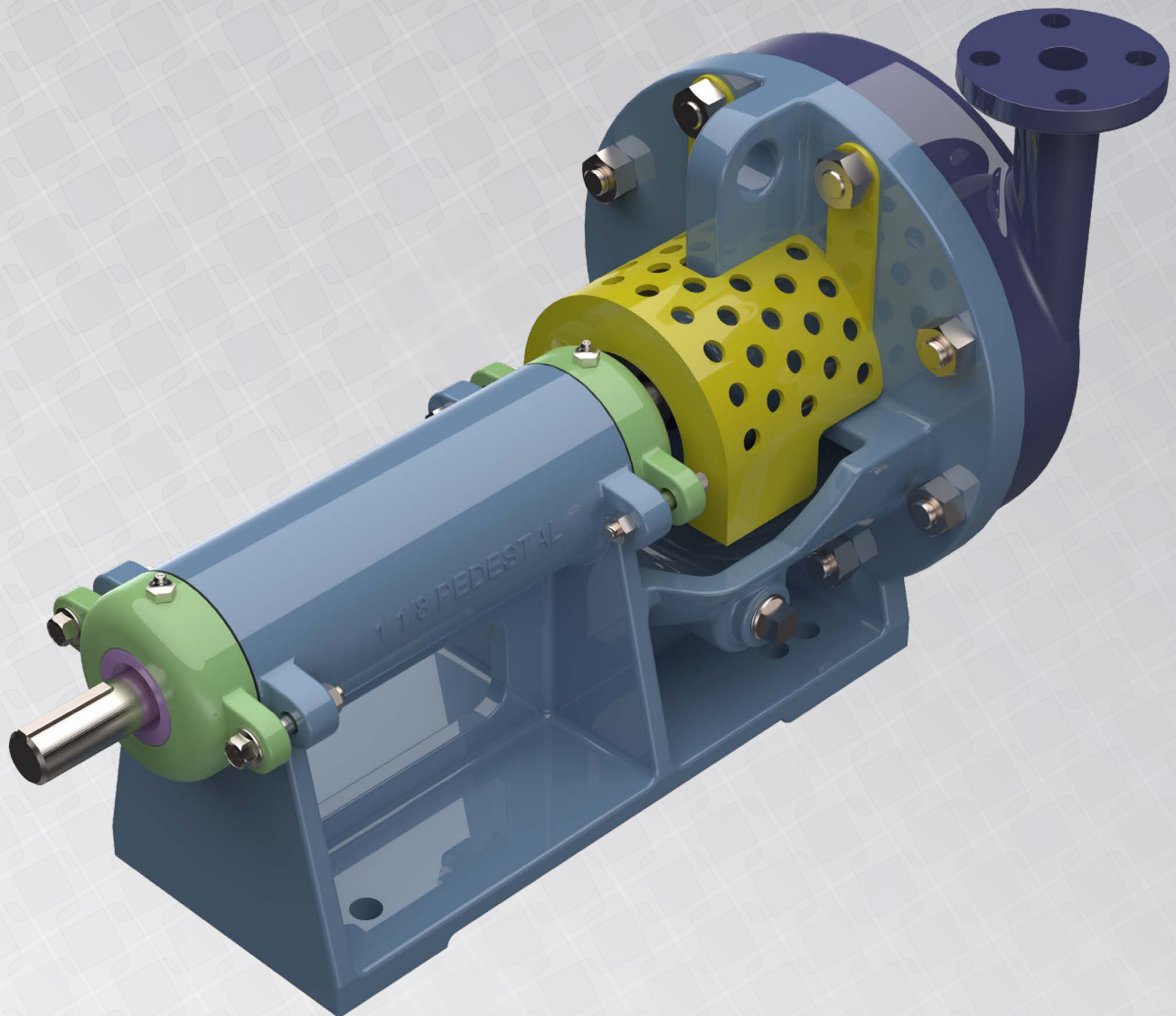
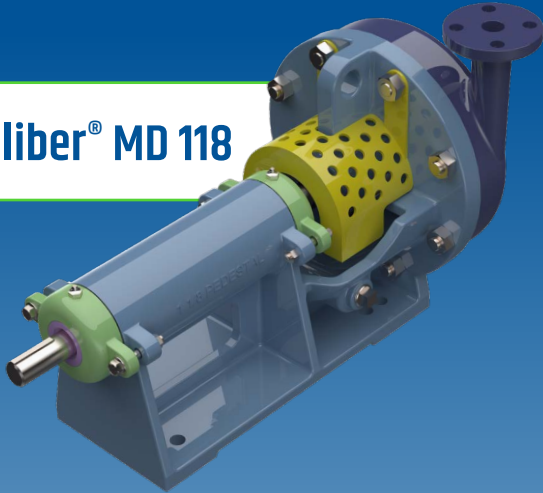


# Caliber® MD 118



**Premium Oilfield Technologies** offers a complete line of centrifugal pumps that are manufactured to OEM specifications and interchangeability. Ours are machined to precise engineering tolerances.

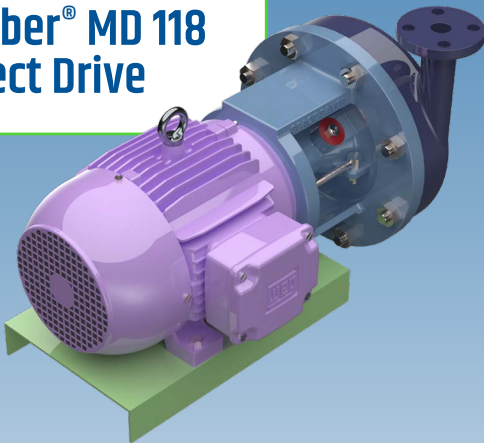
**Caliber® MD 118**



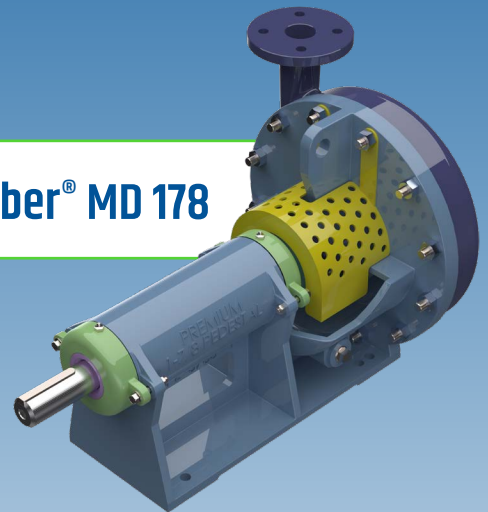
**Caliber® MD 250 Compact**



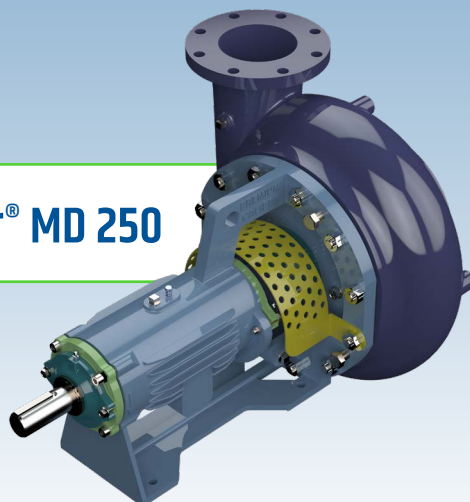
**Caliber® MD 118 Direct Drive**



**Caliber® MD 178**



**Caliber® MD 250**



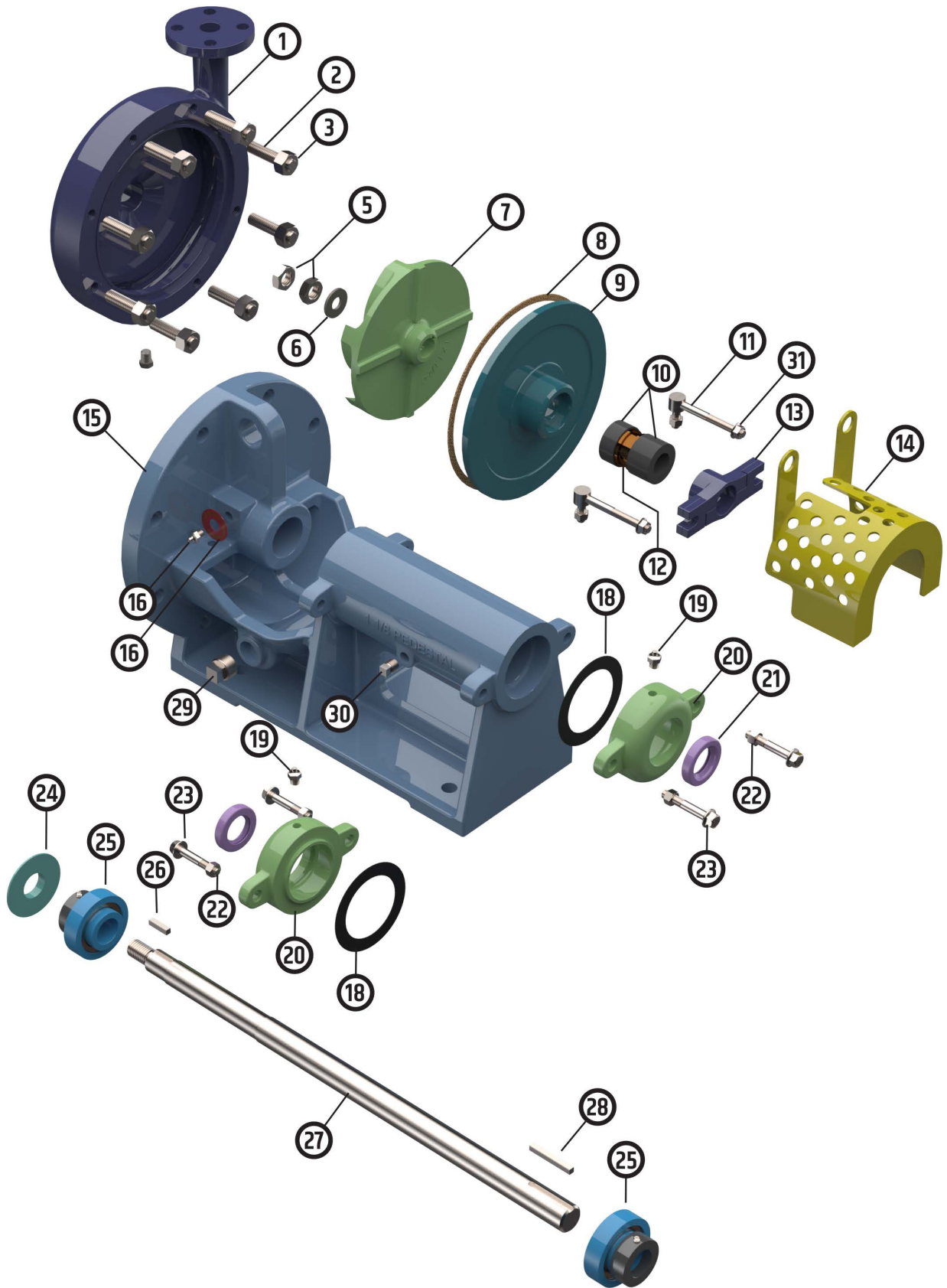
# Caliber® MD 118

Premium Oilfield Technologies Caliber® centrifugal pumps incorporate field proven designs and updated technology to extend service life and reduce downtime during drilling operations.

**Features and Benefits Include:**

- Open impeller design to maximize flow
- Concentric casing design minimizes turbulence
- Replaceable shaft sleeve to absorb wear and extend shaft life
- Optional long life mechanical seals

Assem. No.	Impeller		Casing	
	Size	Part No.	Size	Part No.
534-0120	1-1/2" X 2" X 8-1/2"	534-0022-084	1-1/2" X 2" R	534-0021
534-0220	1-1/2" X 2" X 8"	534-0022-080		
534-0140	2" X 3" X 8-1/2"	534-0042-084	2" X 3" R	534-0041
534-0240	2" X 3" X 8"	534-0042-080		
534-0160	3" X 4" X 8-1/2"	534-0062-084	3" X 4" R	534-0061
534-0260	3" X 4" X 8"	534-0062-080		



# Centrifugal Pump Parts

Item	P/N	Description	Qty
1	SEE TABLE	Casing (See Table)	1
2	201-645	Stud, All Thd, Casing 5/8" - 11UNC X 2-3/4"	8
3	210-007	Nut, Heavy Hex, Casing, 5/8" - 11UNC	8
4	601-0431	Pipe Plug, Hex Head, Casing 1/4 NPT	1
5	209-043	Jam Nut, Impeller, 3/4" - 10UNC	2
6	207-007	Washer, Impeller, 3/4"	1
7	See Table	Impeller (See Table)	1
8	534-0020	Gasket, Casing CP Type S (1-1/8")	1
9	534-0022	Wear Plate, Machined, CP Type S (1-1/8")	1
10	534-0028	Packing (Set Of 5), CP Type S (1-1/8")	1
11	530-0275	Gland Bolt Assembly, 530-533 Series/CP Type S (1-1/8")	2
12	534-0029	Lantern Ring (1 Half), CP Type S (1-1/8")	2
13	534-0030	Packing Gland (1 Half), CP Type S (1-1/8")	2
14	534-0300	Guard	1
15	534-0010	Frame, Machined, CP Type S, 1 X 1-1/12 C	1
16	534-0035	Labeled Washer - "Use Water Pump Grease"	1
17	601-0009	Grease Fitting, Bearing Cap, 1/8 NPT	2
18	534-0037	Gasket, Bearing Cap, CP Type S (1-1/8")	2
19	601-0104	Grease Fitting, 1/4 NPT	1
20	534-0036	Bearing Cap, Machined, CP Type S (1-1/8")	2
21	534-0040	Grease Seal, Bearing Cap, (450177), CP Type S (1-1/8")	2
22	209-005	Hex Nut, Medium, 3/8" - 16UNC	4
23	601-0196	Hex Flange Head Bolt - Bearing Cap, 3/8" - 16UNC - 2-1/4"	4
24	534-0034	Water Slinger Ring, Rubber, CP Type S (1-1/8")	1
25	601-0790	Bearing, (Naa306-18 Shuster), CP Type S (1-1/8")	2
26	534-0025	Key, Impeller End, CP Type S (1-1/8")	1
27	534-0027	Shaft, CP Type S (1-1/8")	1
28	534-0026	Key, Coupling End, CP Type S (1-1/8")	1
29	601-0430	Plug, 3/4 NPT, Square Head	1
30	601-0429	Plug, 1/4 NPT, Square Head	1
31	601-0200	Free Spinning Washer Nut, 3/8" - 16UNC	2

## CORPORATE

### Premium Oilfield Technologies - USA

10600 W. Sam Houston Pkwy. North  
Houston, TX 77064  
T: +1 281.670.5200

## MANUFACTURING & REPAIR

### Premium Drilling Equipment and Support

9841 Windmill Park Ln.  
Houston, TX 77064  
T: +1 281.670.5200

### Patriot and Urethane

10600 W. Sam Houston Pkwy. N.  
Houston, TX 77064  
T: +1 281.670.5228

### West Texas Operations All Divisions

10207 West Industrial Ave.  
Midland, TX 79706  
T: +1 432.563.2328

### Patriot Screens

4602 S. MacArthur Blvd.  
Oklahoma City, OK 73179  
T: +1 405.470.6553

### Canada Operations All Divisions

107-6704-41 Street  
Leduc, Alberta  
Canada T9E 0Z4  
T: +1 877.593.0034

## FIELD SALES, SERVICES AND REPAIR OFFICES

California / Colorado / Louisiana / New Mexico / North Dakota / Oklahoma / Pennsylvania / Texas / Utah / Wyoming

## INTERNATIONAL

### KUWAIT

**Premium Oilfield Technologies**  
P.O. Box 721  
Yarmouk, Kuwait 72658  
T: +965 99679126  
T: +965 66022296

### UAE

**Premium Oilfield Technologies Trading LLC**  
P.O. Box 89561  
Dubai, UAE  
T: +971 55 889 7210  
T: +971 56 986 3834

### INDIA

**PMR Mud Riggers India Private Limited**  
S-Block-232, MIDC  
Bhosari, Pune MH 411026  
India

### UAE

**Premium Oilfield Technologies FZE Top Drive Solutions**  
S700, PLOT S30229  
Jebel Ali Free Zone (South)  
P.O. Box 262263  
Dubai, UAE  
T: +971 4 889 4897  
T: +971 506587570

### SAUDI ARABIA

**Premium Mud Pumps Trading Est.**  
P.O. Box 956  
Dammam, KSA  
Postal Code: 31951  
T: +966 50 0157516

### UAE

**Premium Oilfield Technologies FZE Mud Pump Solutions**  
S700, PLOT S30229  
Jebel Ali Free Zone (South)  
P.O. Box 262263  
Dubai, UAE  
T: +971 4 889 4897  
T: +971 558897210



Premium Oilfield Technologies  
Q1-3977  
ISO 9001:2015  
Certificate Number: 5028



[sales@premiumoilfield.com](mailto:sales@premiumoilfield.com)  
[premiumoilfield.com](http://premiumoilfield.com)

121124

**SUR·LOCK**

**CALIBER**

**TRU·FLOW**

**PATRIOT™**



**LOGAN**  
Power Swivel