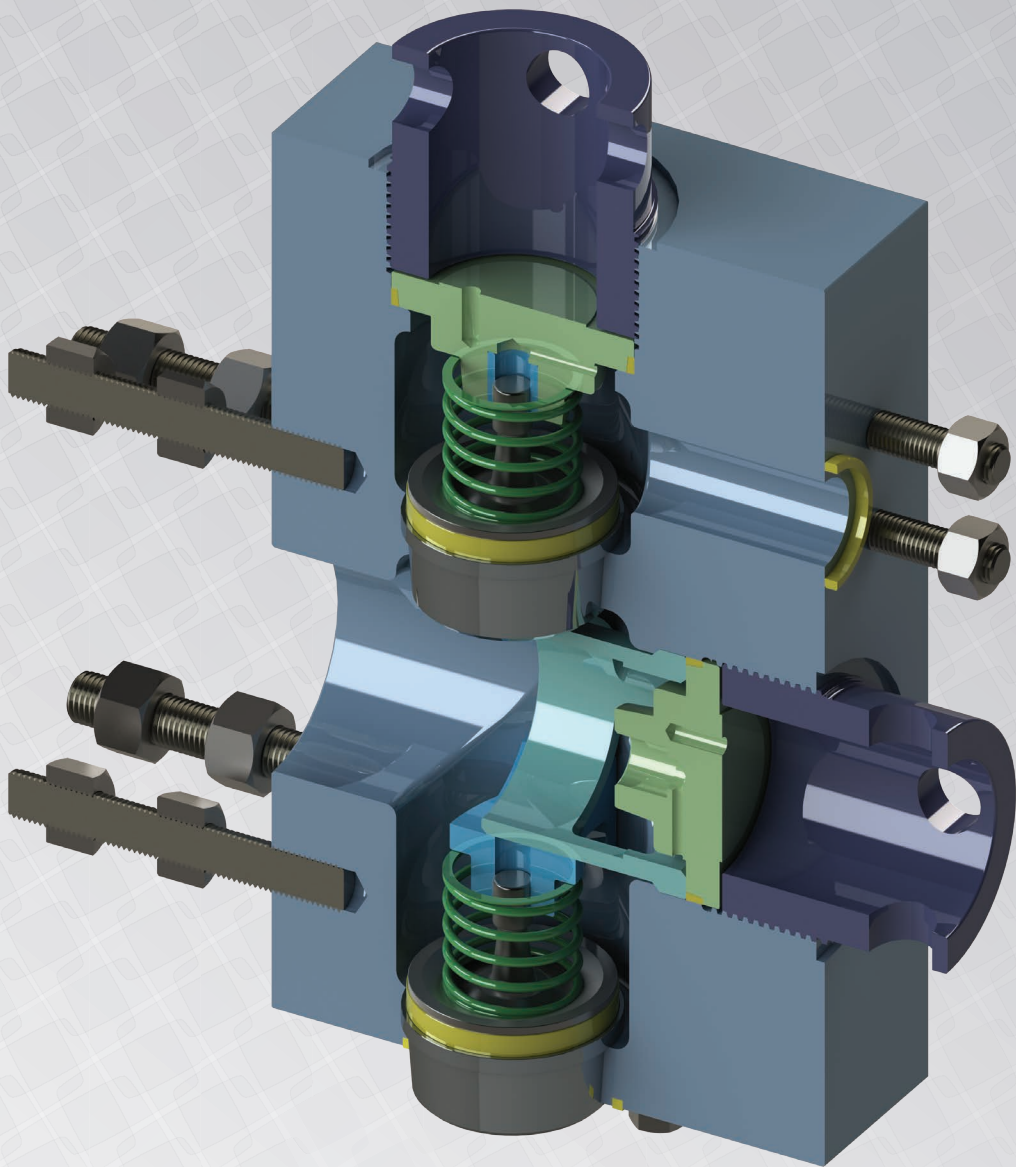
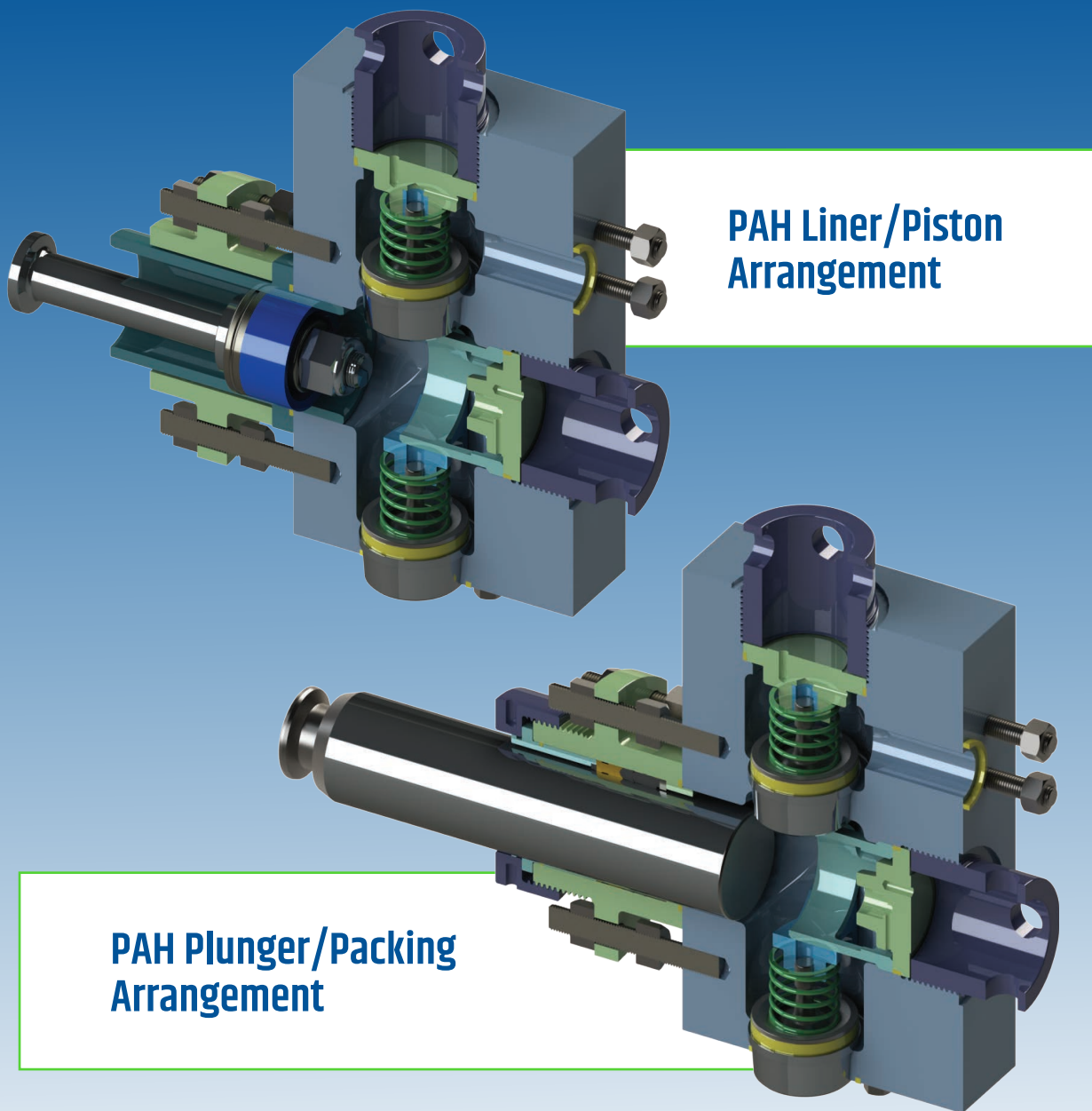


PAH Fluid End Parts



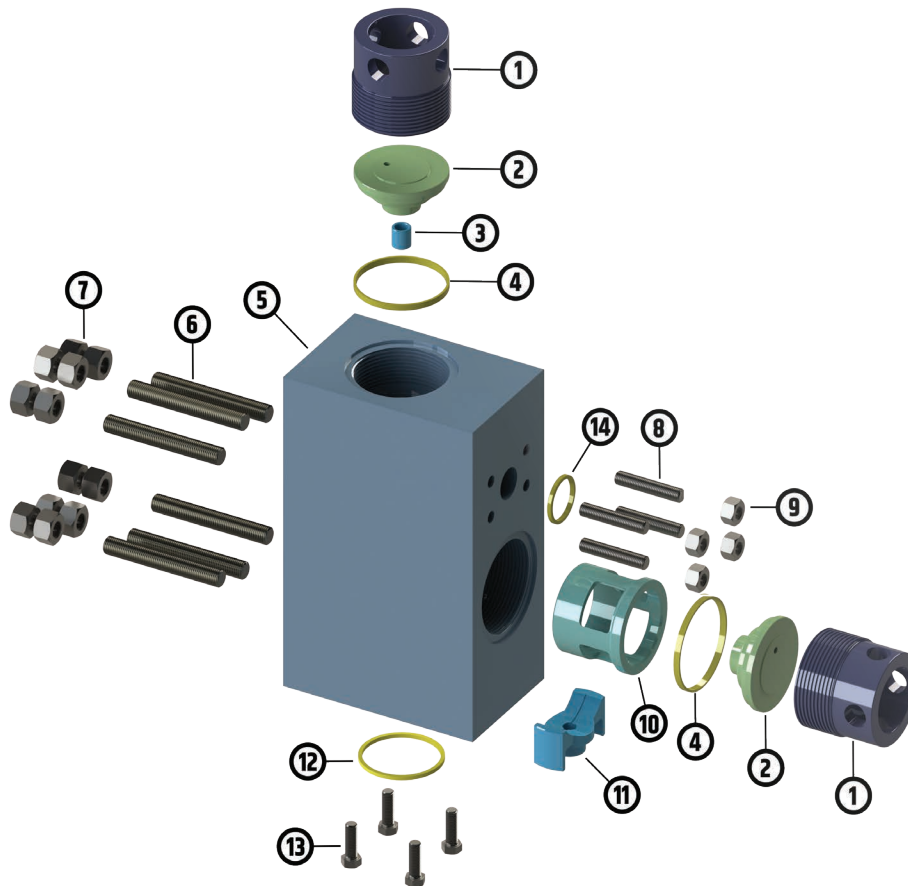
Premium Oilfield Technologies offers a complete line of fluid end modules and components that are manufactured to OEM specifications and interchangeability. Our modules are machined to precise engineering tolerances. Each forging is machined and heat treated to maintain the best physical properties inside the module and on the surface, thus minimizing washing and stress cracking.



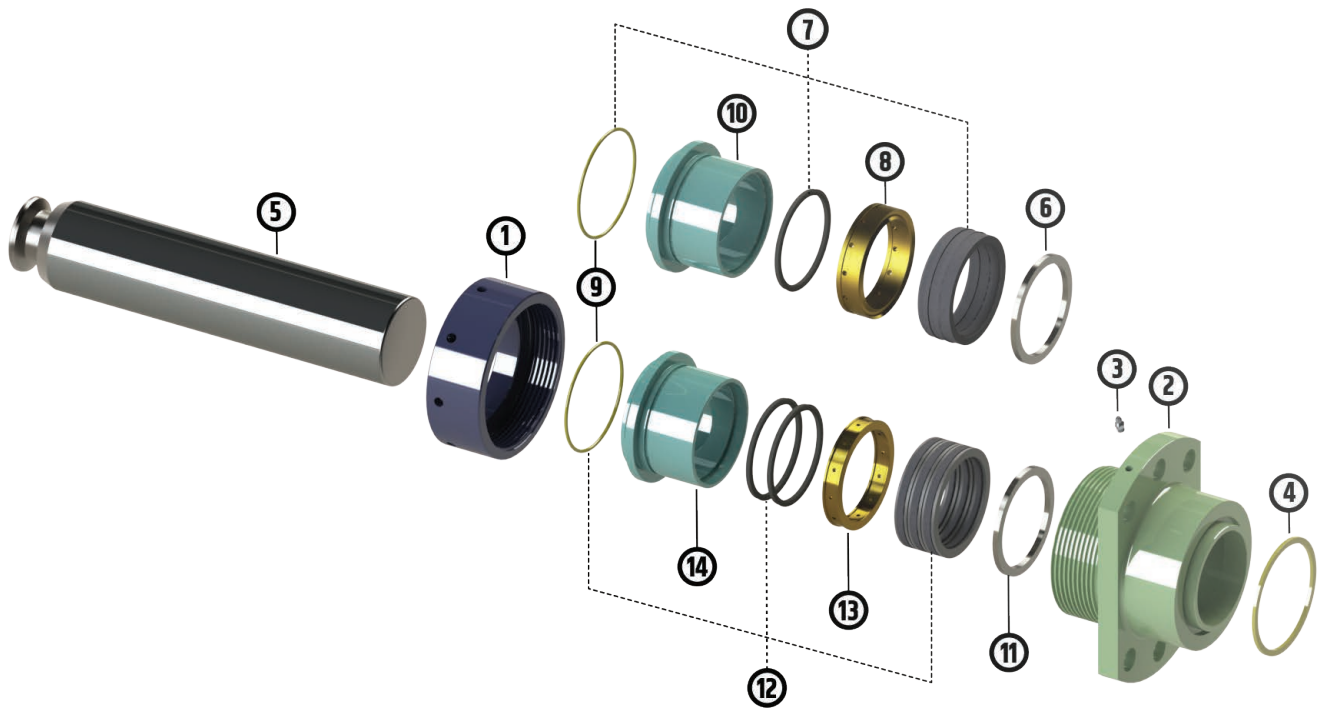
PAH Liner/Piston Arrangement

PAH Plunger/Packing Arrangement

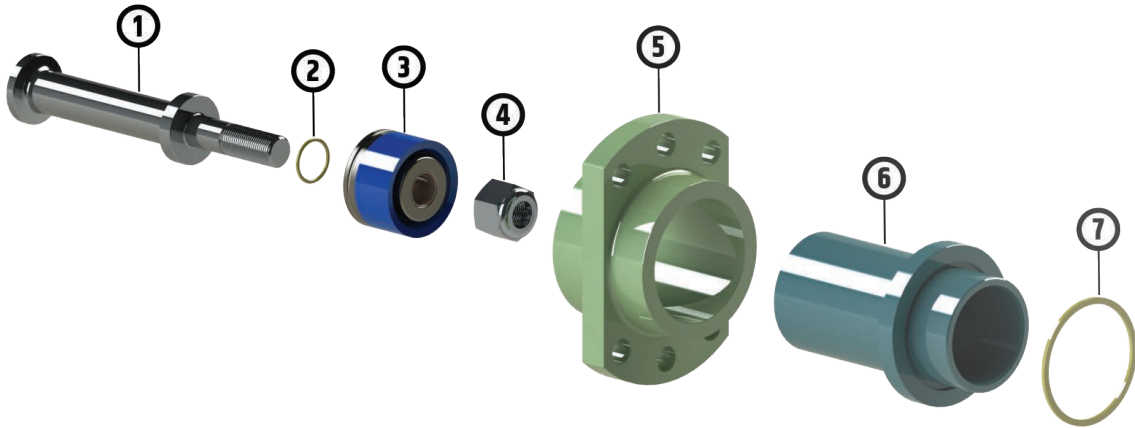
PAH Pump



Item #	Part #	QTY	Description
200PJH029B-P			FLUID END MODULE c/w STUDS (ITEMS 5 THRU 9)
1	3PA587-P	6	Lock-Cover
2	200PJH147-P	6	Cover-Valve
3	2013547-P	3	Bushing, Discharge Valve Cover
4	0799-P	6	Gasket, Valve Cover
5	NS-200PJH029B	3	Fluid End Module Unstudded
6	79AJ2-P	18	Stud, Cylinder to Frame
7	210-015	36	Nut, Cylinder to Frame & Liner Clamp
8	79L142-P	12	Stud, Discharge Manifold
9	50B9-P	12	Nut, Manifold to Cylinder Stud
10	200PJH205-P	3	Retainer, Suction Valve Guide
11	200PJH483-P	3	Guide-Valve, Suction
12	25G18-P	3	Gasket, Suction Manifold to Cylinder
13	75A57N-P	12	Screw, Suction Manifold to Cylinder
14	25AL54-P	3	Gasket, Manifold to Cylinder

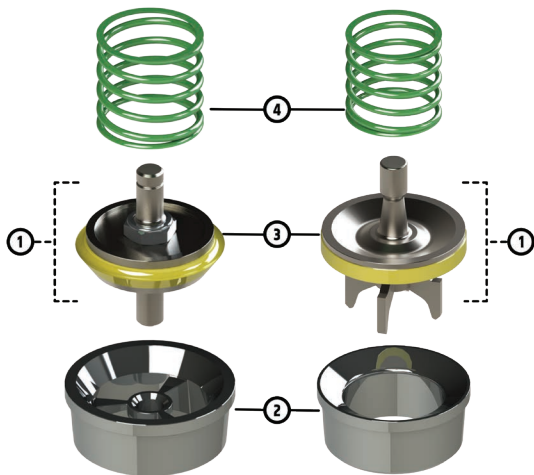


Item #	Description	Qty	4-1/2"	4"	3-1/2"
1	Gland	3	6PA113-P		
2	Box-Stuffing, inc. ref. no. 3	3	8PA14-P	9PA14-P	10PA14-P
3	Grease Fitting	3	40E7		
4	Gasket	3	0266-P		
5	Plunger	3	200PAH038-P	201PAH038-P	203PAH038-P
J STYLE PACKING					
PACKING ASSEMBLY		3	38PA160045-P	38PA160040-P	38PA160035-P
6	Junk Ring	3	PO3175-P	PO31740-P	PO31735-P
7	Packing Set, inc. ref. no. 9*	3	60BU93-P	60BU91-P	60BU90-P
8	Lantern Ring	3	PO44545-P	PO44540-P	PO44535-P
9	O-Ring*	3	25AA32-P	25AA28-P	25AA24-P
10	Gland Bushing	3	29PA15245-P	29PA15240-P	29PA15235-P
S STYLE PACKING					
PACKING ASSEMBLY		3	TGF7712-P	TGF77613-P	
11	Junk Ring	3	201TGF317-P	202TGF317-P	
12	Packing Set, inc. ref. no. 9*	3	60DD117-P	60DD116-P	
13	Lantern Ring	3	201TGF445-P	202TGF317-P	
9	O-Ring*	3	25AA32-P	25AA28-P	
14	Gland Bushing	3	202TGF152-P	203TGF152-P	



Item #	Part #	QTY	Description
1	PJ183-P	3	Piston Rod C/W Nut (Includes Item #4)
2	301-0006	3	O-Ring
3	SEE CHART	3	Piston Complete (Includes Item #2)
4	170-14A06-01	3	Nut, Piston Rod
5	1PA217-P	3	Clamp-Liner
6	SEE CHART	3	Liner
7	0266-P	3	Gasket Liner To Cylinder

Size	Liner	Piston Complete	Piston Rubber Kit	Bonded Piston
3"	0193-30-P	411-30K15-00	412-30K15-00	409-30N15-HT
3-1/2"	0193-34-P	411-34K15-00	412-34K15-00	409-34N15-HT
4"	0193-40-P	411-40K15-00	412-40K15-00	409-40N15-HT
4-1/2"	0193-44-P	411-44K15-00	412-44K15-00	409-44N15-HT
5"	0193-50-P	411-50B15-00	412-50B15-00	409-50N15-HT



Item#		Caliber® (Replaceable Insert)	Caliber®	3-WEB
1	Valve Assembly	510-41V01-00	510-42V01-HT	PJ482A-P
2	Valve Seat	510-46S00-05		PJ451-P
3	Valve Insert	NF-4-I-P	N/A	PJ452-P
4	Valve Spring	5710-33		78H23-P

CORPORATE

Premium Oilfield Technologies - USA

10600 W. Sam Houston Pkwy. North
Houston, TX 77064
T: +1 281.670.5200

USA MANUFACTURING & REPAIR

Patriot and Urethane

10600 W. Sam Houston Pkwy. North
Houston, TX 77064
T: +1 281.670.5228

Premium Drilling Equipment and Support

9841 Windmill Park Ln.
Houston, TX 77064
T: +1 281.670.5200

West Texas Operations - All Divisions

10207 West Industrial Ave.
Midland, TX 79706
T: +1 432.563.2328

Patriot Screens

4602 S. MacArthur Blvd.
Oklahoma City, OK 73179
T: +1 405.470.6553

NORTH AMERICA FIELD SALES, SERVICES AND REPAIR OFFICES

California / Colorado / Louisiana / New Mexico / North Dakota / Oklahoma / Pennsylvania / Texas / Utah
Wyoming / Leduc, Alberta

INTERNATIONAL

KUWAIT

Premium Oilfield Technologies
P.O. Box 721
Yarmouk, Kuwait 72658
T: +965 99679126
T: +965 66022296

UAE

Premium Oilfield Technologies Trading LLC
P.O. Box 89561
Dubai, UAE
T: +971 55 889 7210
T: +971 56 986 3834

INDIA

PMR Mud Riggers India Private Limited
S-Block-232, MIDC
Bhosari, Pune MH 411026
India

UAE

Premium Oilfield Technologies FZE Top Drive Solutions
S700, PLOT S30229
Jebel Ali Free Zone (South)
P.O. Box 262263
Dubai, UAE
T: +971 4 889 4897
T: +971 506587570

SAUDI ARABIA

Premium Mud Pumps Trading Est.
P.O. Box 956
Dammam, KSA
Postal Code: 31951
T: +966 50 0157516

UAE

Premium Oilfield Technologies FZE Mud Pump Solutions
S700, PLOT S30229
Jebel Ali Free Zone (South)
P.O. Box 262263
Dubai, UAE
T: +971 4 889 4897
T: +971 558897210



Premium Oilfield Technologies
Q1-3977
ISO 9001:2015
Certificate Number: 5028



sales@premiumoilfield.com
premiumoilfield.com

110524

SUR·LOCK

CALIBER

TRU·FLOW

PATRIOT™



LOGAN
Power Swivel